



TOW MASTER

4.2mt Oregon Display Trailer

HT004



Features

- 4200mm x 2150mm body (internal dimensions)
- Twin axle 2000kg maximum gross laden weight
- 4 glazed bi-fold doors
- 3mt of clip on aluminium steps with handrails
- Full length lift up canopy with logo board
- Pair of display wings
- Non-slip vinyl floor covering
- Galley with sink and fridge
- Upholstered bench seats (storage under)
- Corner coffee table (storage under)
- 240v 6 double sockets
- 240v 1 strip lights and 6 track mounted spotlights
- 42inch HD LED monitor





Optional Extras

- 3600mm x 1800mm aluminium hook on platform with stainless steel handrails
- 2.4mt x 760mm folding access ramp
- 3mt flag pole
- 6mt flag pole c/w rotating arm
- Bistro table & 4 chairs
- Branded Display wing panel
- Branded logo board panel
- Additional branding - panels, flags, etc.

Oregon exhibition trailers can be set up easily by one person. These mobile exhibition trailers are ideal for year round use in a variety of locations

The range of options available, including a platform to increase entertaining space, means you can select and pay for exactly what you want to create the right space for your event.

The Oregon exhibition trailers provide good shelter from rain, shade from the sun and excellent protection in windy conditions.

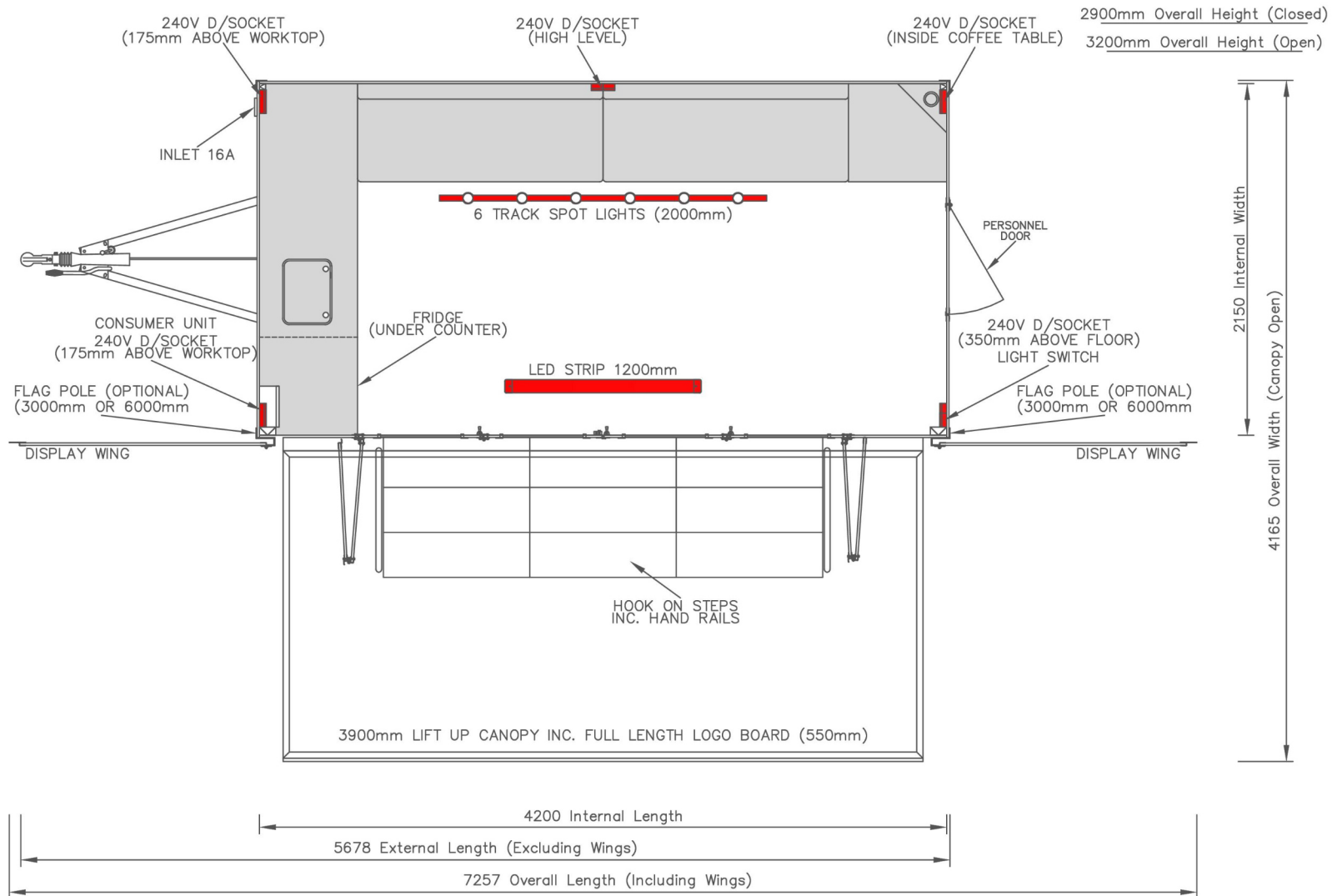
**TOW
MASTER**

4.2mt Oregon Display Trailer
HT004



4.2mt Oregon Display Trailer

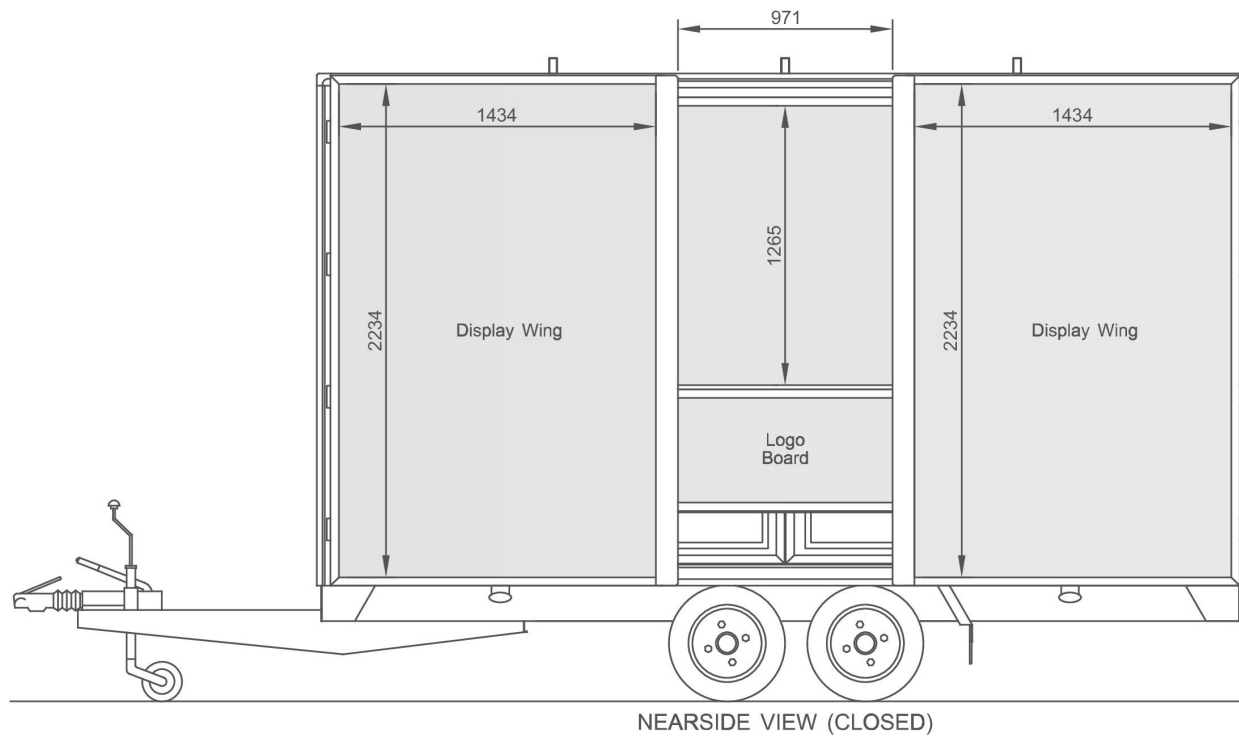
HT004



Plan view with lights and electrical sockets highlighted

4.2mt Oregon Display Trailer

HT004

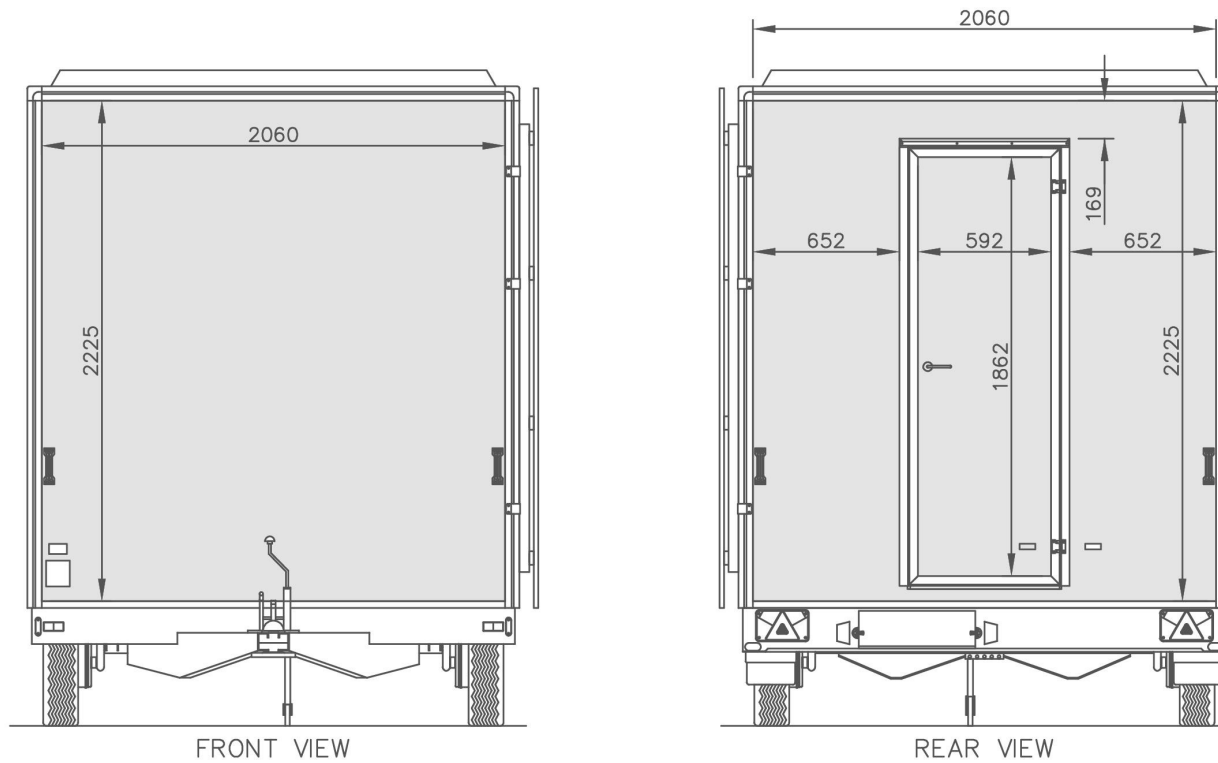


NEAR SIDE VIEW (CLOSED)

Panel dimensions near side closed

4.2mt Oregon Display Trailer

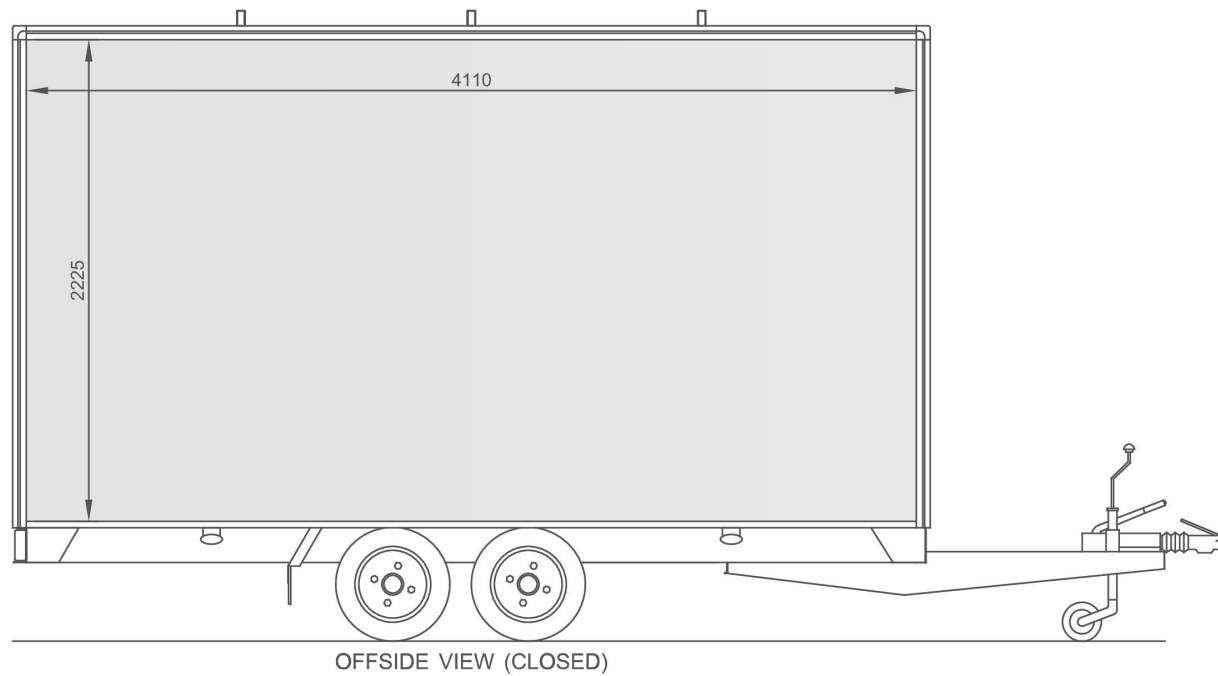
HT004



Panel dimensions front and rear

4.2mt Oregon Display Trailer

HT004



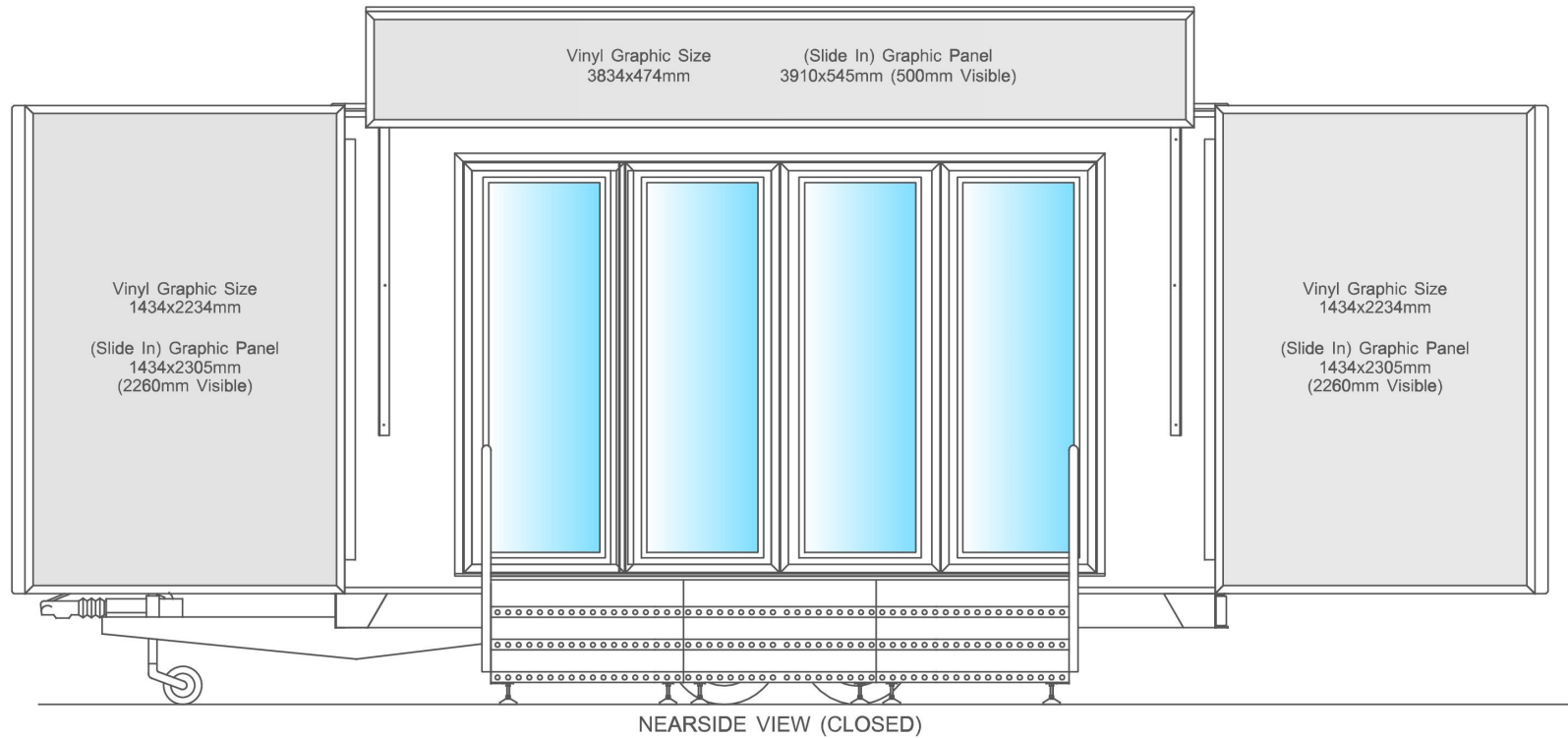
Panel dimensions off side closed

4.2mt Oregon Display Trailer

H_T004



3mm ACP (Aluminium Composite Panel) Is Recommended For Slide In Graphic Panels



Panel dimensions logo board and display wings