



## Features

- 5500mm x 2150mm body (internal dimensions)
- Twin axle 2600kg maximum gross laden weight
- 4 glazed bi-fold doors
- 3mt of clip on aluminium steps with handrails
- Full length lift up canopy with logo board
- Pair of display wings
- Rear slide out pod extension
- Non-slip vinyl floor covering
- Galley & serve over with sink and fridge
- Upholstered bench seats (storage under)
- Corner & central coffee tables (storage under)
- 240v 7 double sockets
- 240v 2 strip lights and 10 track mounted spotlights
- 42inch HD LED monitor

# TOW MASTER

5.5mt Oregon Display Trailer with pod extension

HT008





## Optional Extras

- 3600mm x 1800mm aluminium hook on platform with stainless steel handrails
- 2.4mt x 760mm folding access ramp
- 3mt flag pole
- 6mt flag pole c/w rotating arm
- Bistro table & 4 chairs
- Branded Display wing panel
- Branded logo board panel
- Additional branding - panels, flags, etc.

Oregon exhibition trailers can be set up easily by one person. These mobile exhibition trailers are ideal for year round use in a variety of locations

The range of options available, including a platform to increase entertaining space, means you can select and pay for exactly what you want to create the right space for your event.

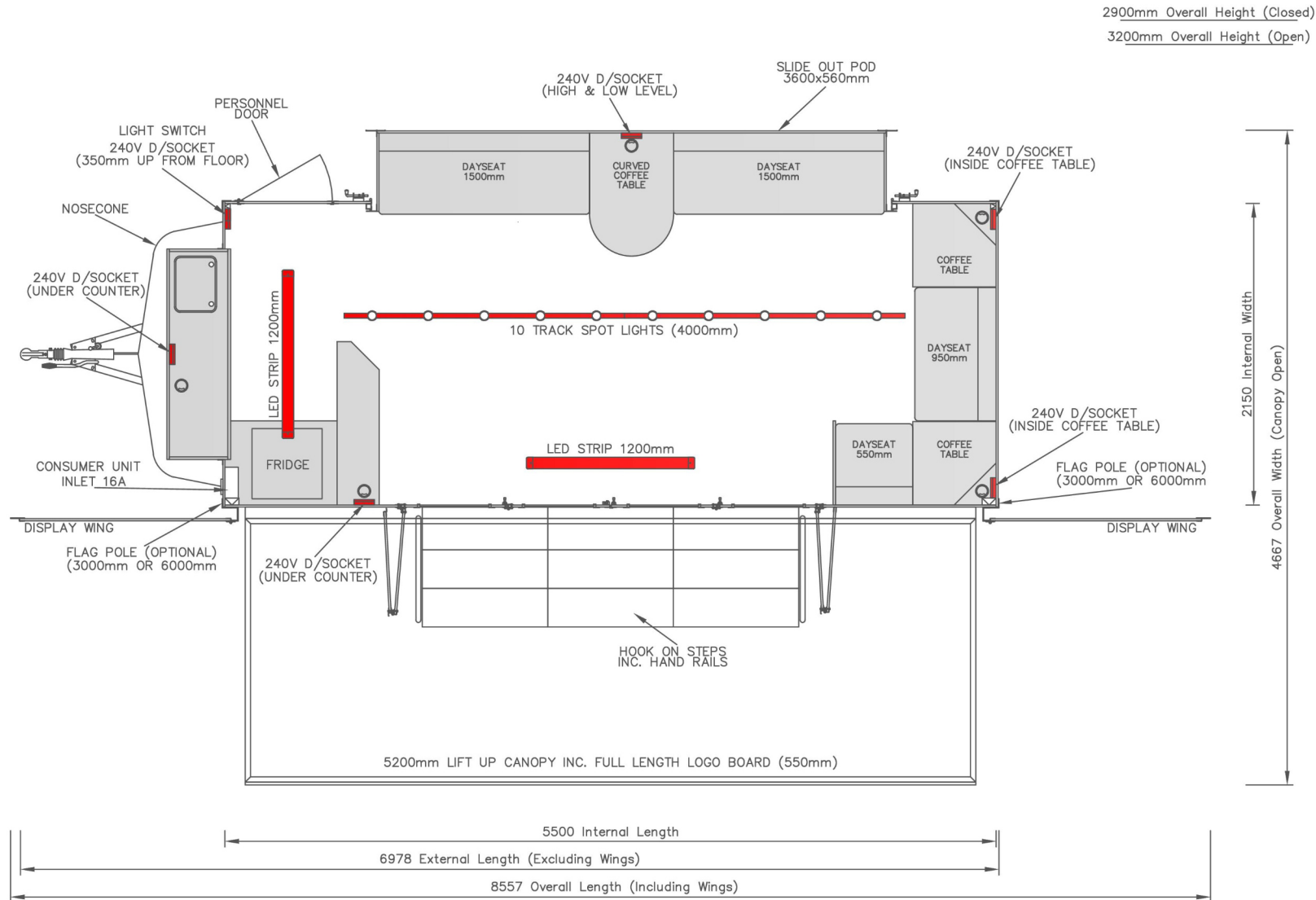
The Oregon exhibition trailers provide good shelter from rain, shade from the sun and excellent protection in windy conditions.

**TOW  
MASTER**

5.5mt Oregon Display Trailer  
**HT008**

# 5.5mt Oregon Display Trailer

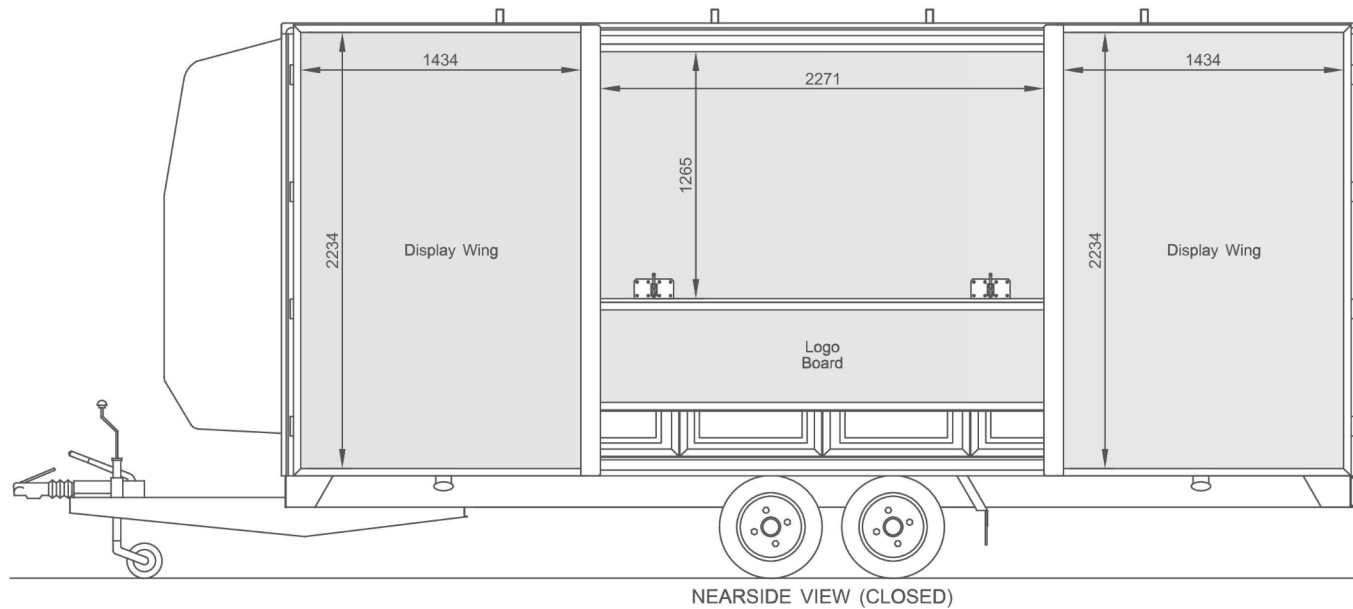
## HT008



Plan view with lights and electrical sockets highlighted

5.5mt Oregon Display Trailer

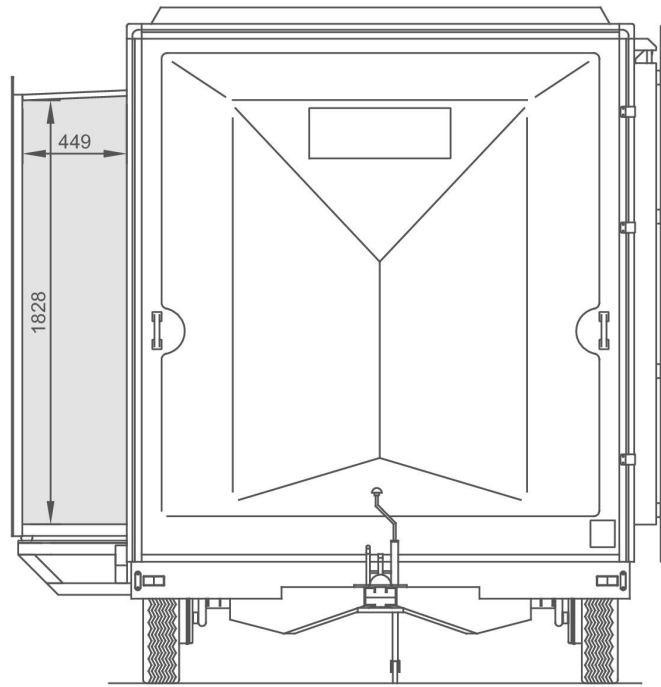
HT008



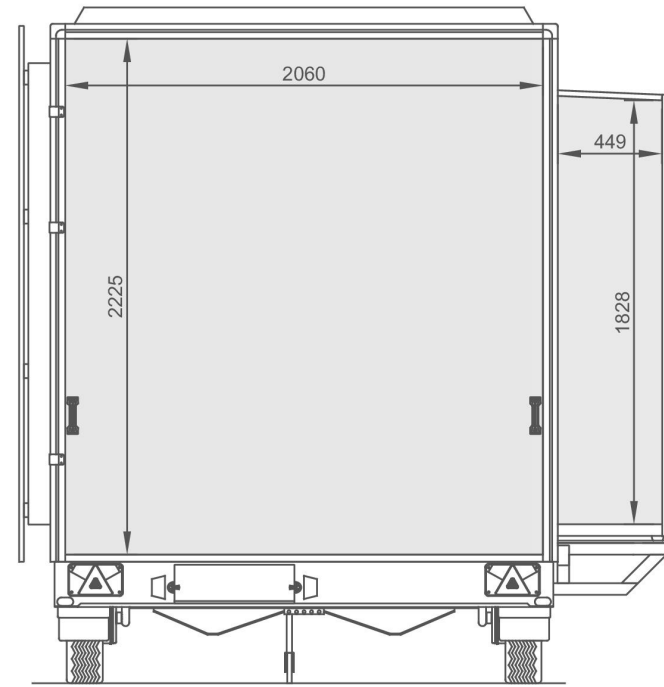
Panel dimensions near side closed

5.5mt Oregon Display Trailer

HT008



FRONT VIEW

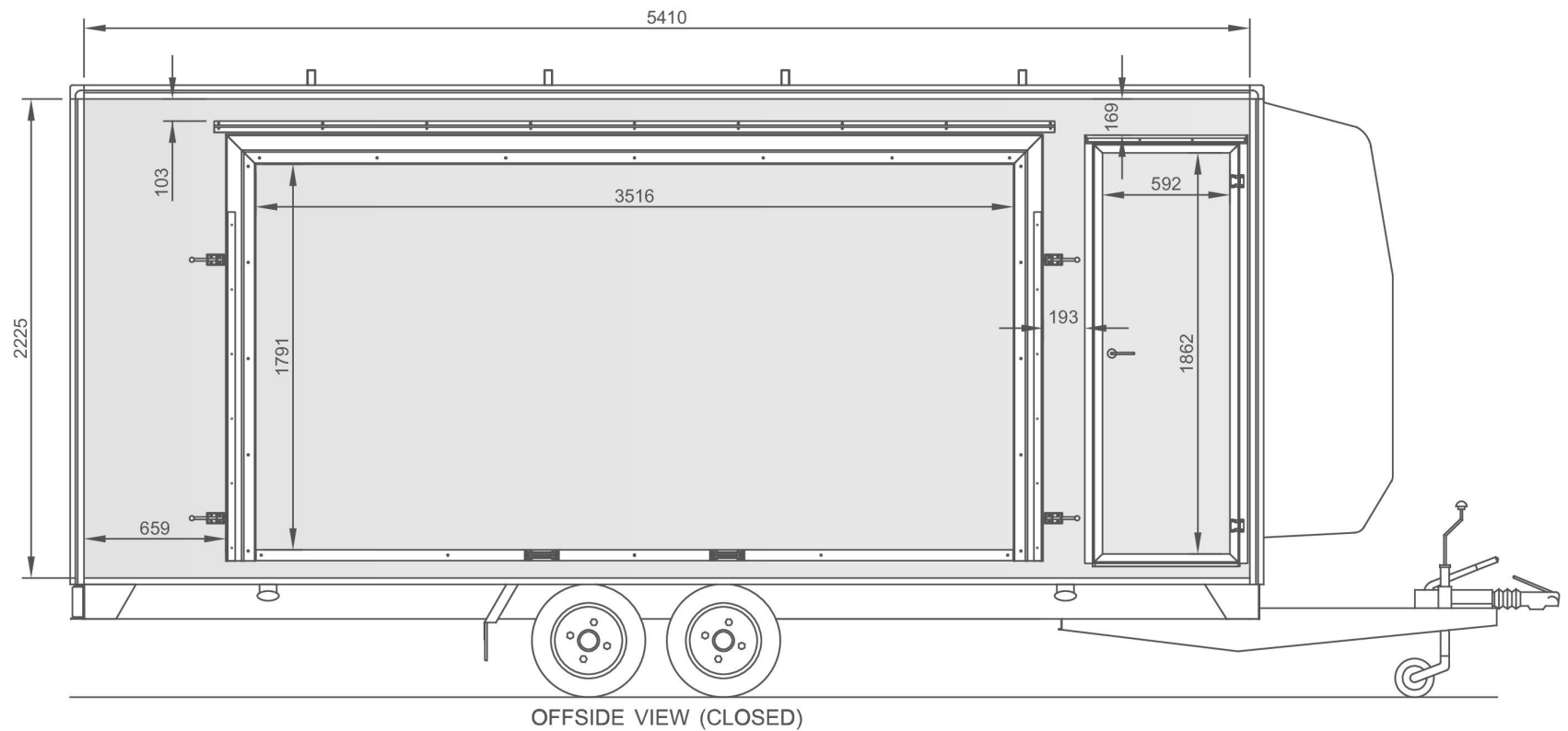


REAR VIEW

Panel dimensions front and rear

5.5mt Oregon Display Trailer

HT008

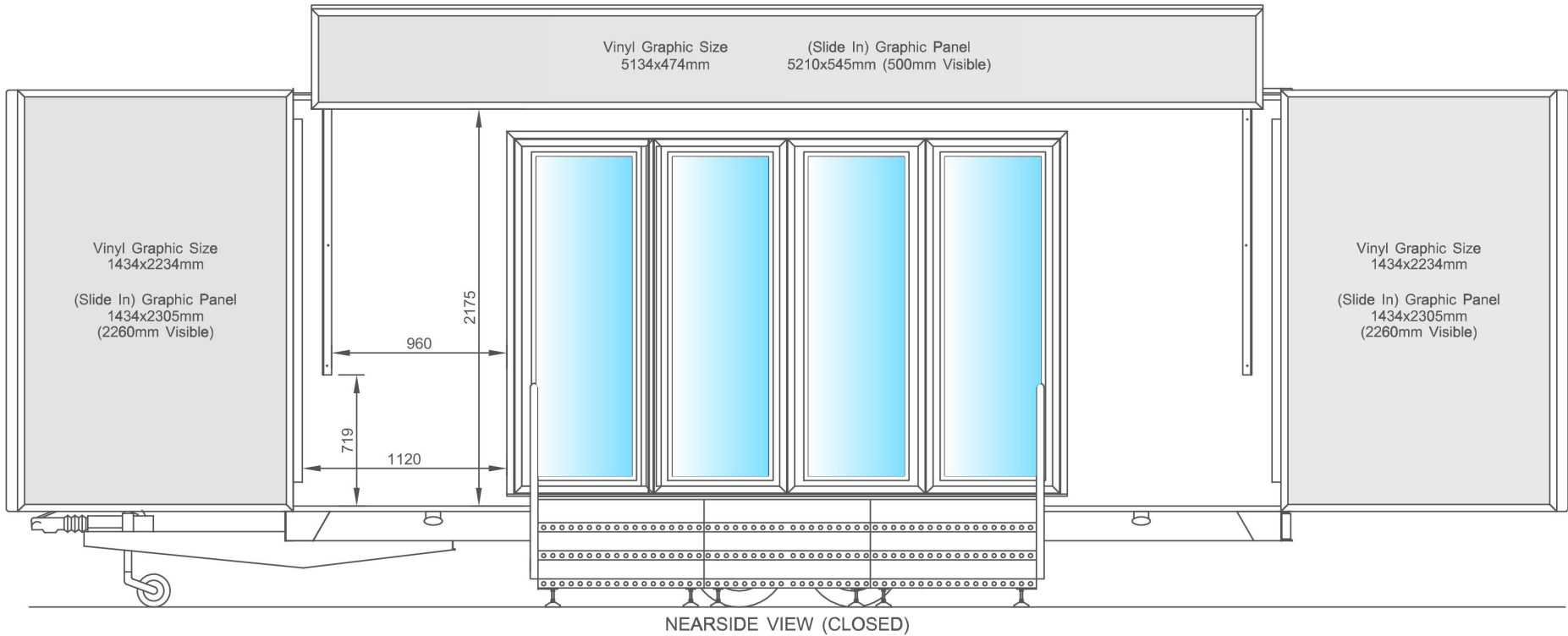


Panel dimensions off side closed

# 5.5mt Oregon Display Trailer HT008



3mm ACP (Aluminium Composite Panel) Is Recommended For Slide In Graphic Panels



Panel dimensions logo board and display wings