



Features

- 5500mm x 2400mm body (internal dimensions)
Plus pod and nose cone areas
- Full length lift up canopy with logo board
- 2 x glazed sliding doors
- 3 tread, aluminium steps c/w stainless handrails
- Pair of display wings ready for graphics
- Slide out manual walk in pod
- Pedestrian door with steps
- Galley with sink, fridge and serve over counter
- Upholstered bench seating (storage under)
- 3 x Corner coffee tables (storage under)
- 42 inch LED monitor.
- Non-slip wood effect vinyl floor covering
- 6 x 240v concealed double sockets, 1 x single
- 6 x 1200mm LED strip lights

TOW MASTER

5.5mt California Display Trailer with pod extension

HT012





Optional Extras

- 3600mm x 1800mm aluminium hook on platform with stainless steel handrails
- 2.4mt x 760mm folding access ramp
- 3mt flag pole
- 6mt flag pole c/w rotating arm
- Bistro table & 4 chairs
- Branded Display wing panel
- Branded logo board panel
- Additional branding - panels, flags, etc.

California exhibition trailers can be set up easily by one person. These mobile exhibition trailers are ideal for year round use in a variety of locations

The range of options available, including a platform to increase entertaining space, means you can select and pay for exactly what you want to create the right space for your event.

The Oregon exhibition trailers provide good shelter from rain, shade from the sun and excellent protection in windy conditions.

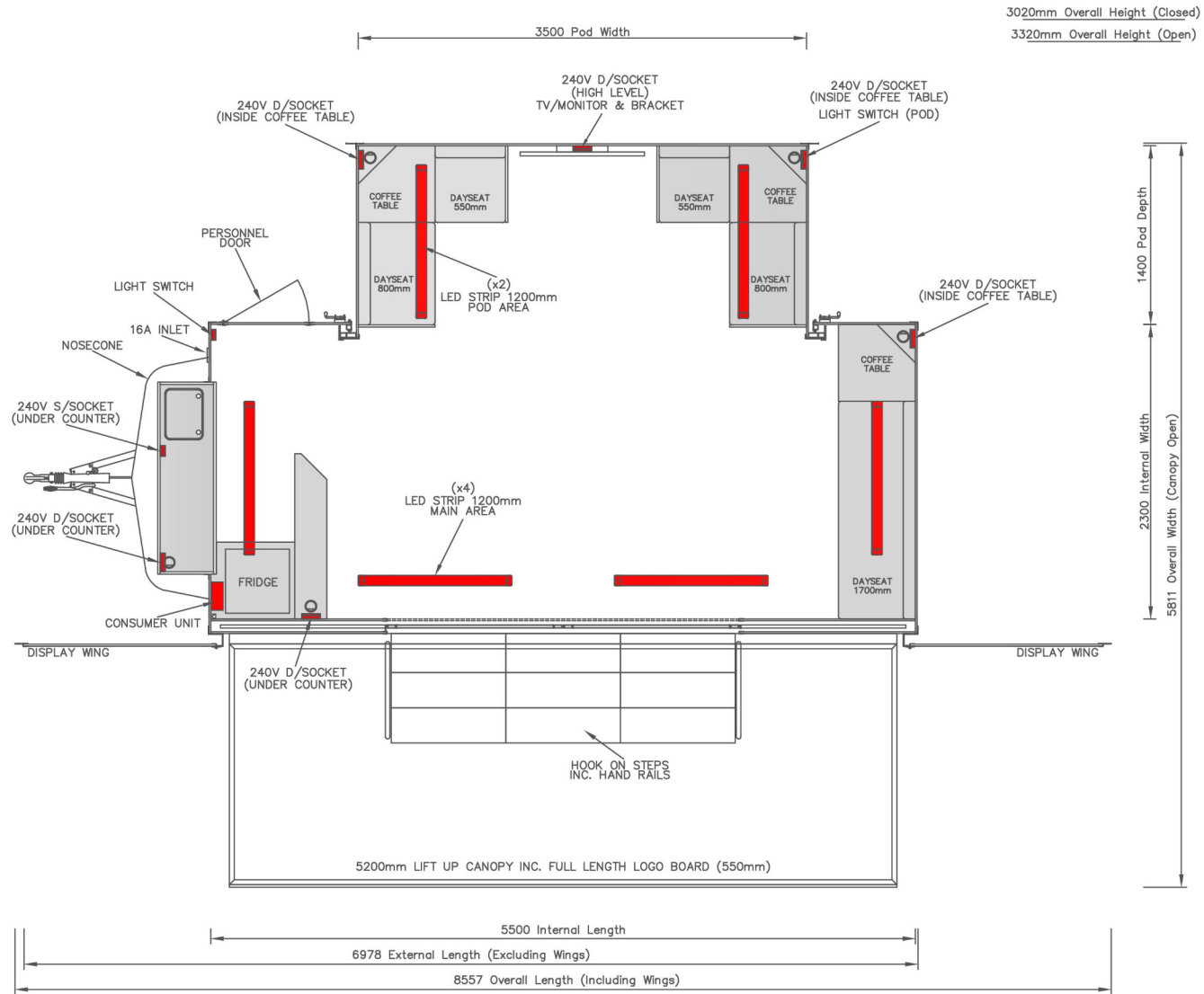
**TOW
MASTER**

5.5mt California Display Trailer
HT012



5.5mt California Display Trailer

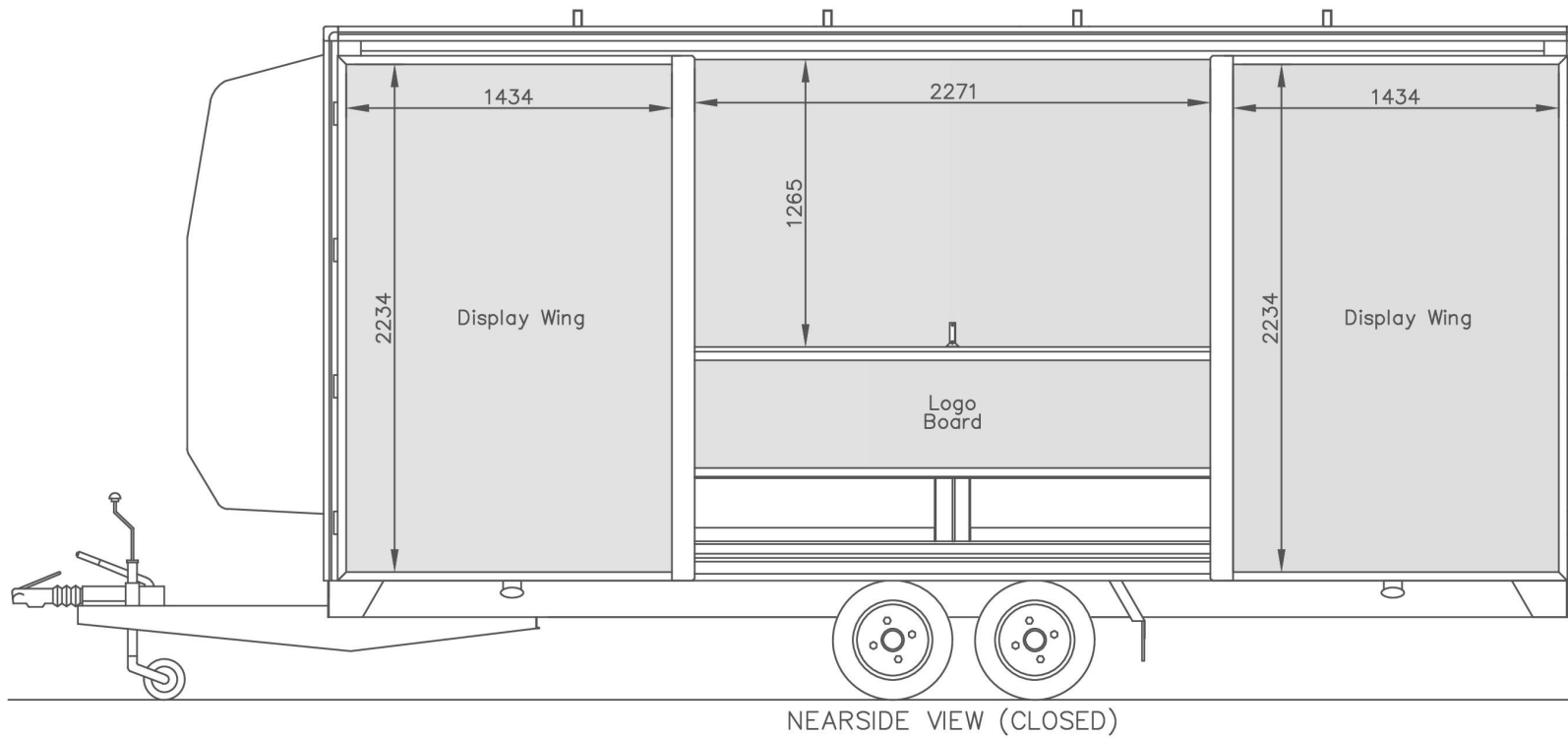
HT012



Plan view with lights and electrical sockets highlighted

5.5mt California Display Trailer

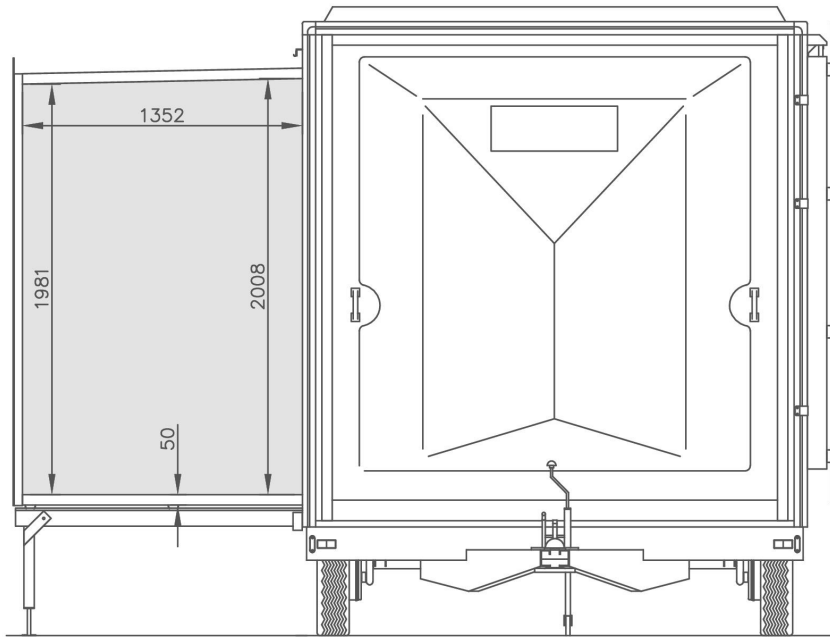
HT012



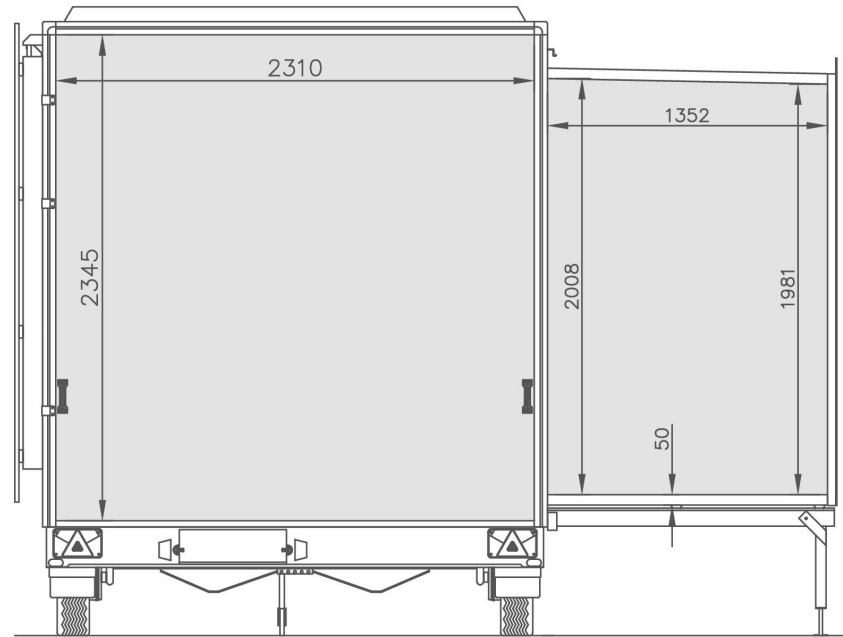
Panel dimensions near side closed

5.5mt California Display Trailer

HT012



FRONT VIEW

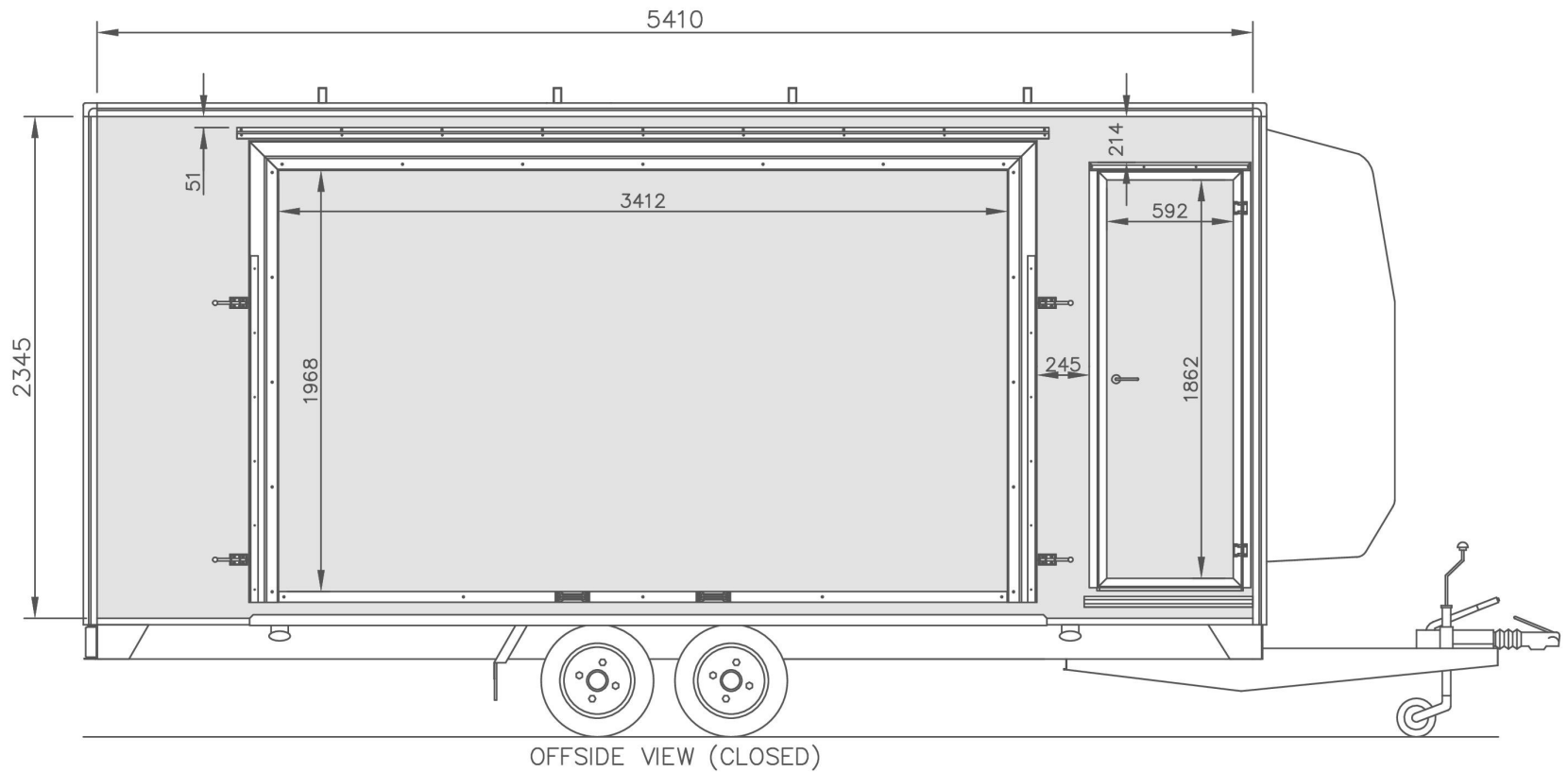


REAR VIEW

Panel dimensions front and rear

5.5mt California Display Trailer

HT012

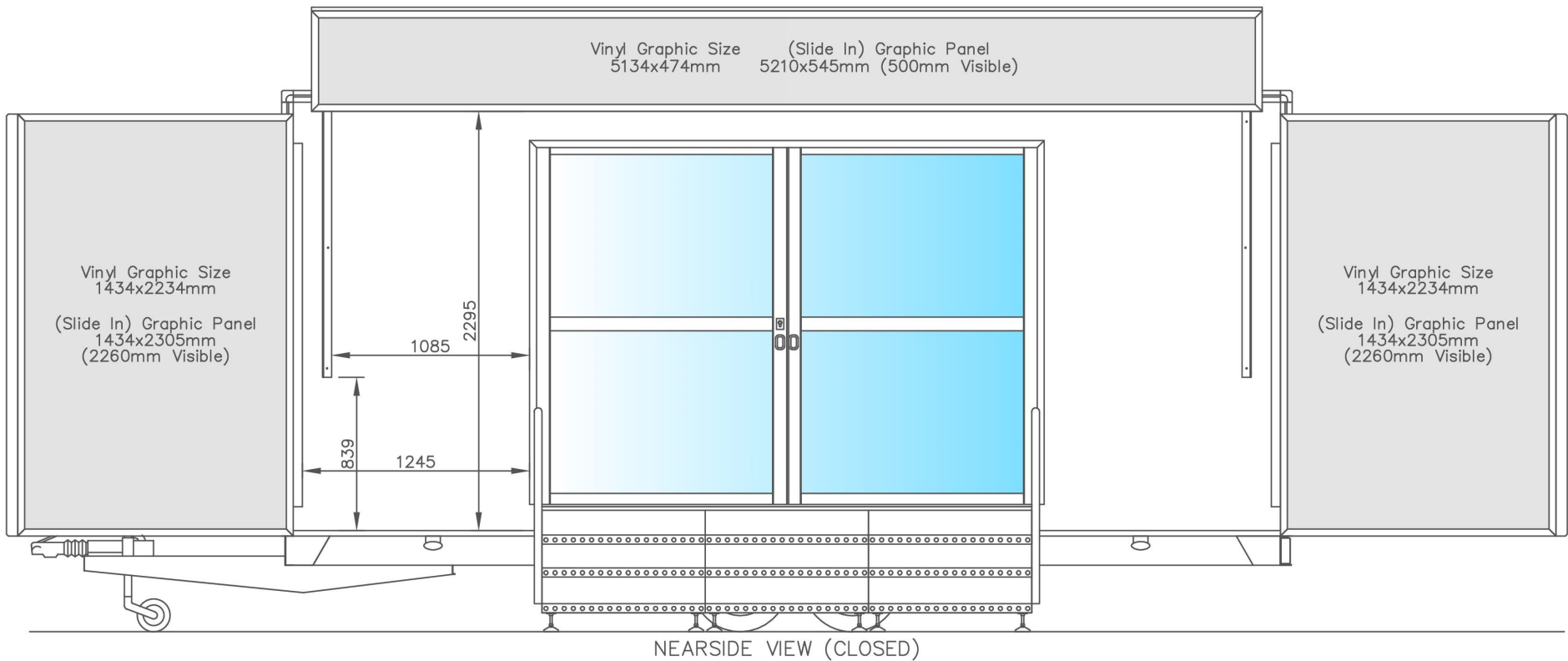


Panel dimensions off side closed

5.5mt California Display Trailer HT012



3mm ACP (Aluminium Composite Panel) Is Recommended For Slide In Graphic Panels



Panel dimensions logo board and display wings