



Features

- 4200mm x 2150mm X 2200mm body
- Twin braked axles 2000kg maximum GLW
- Lift up canopy with logo board
- 3mt of fold out aluminium steps c/w Slot in stainless steel handrails
- Pair of display wings
- Non-slip vinyl floor covering
- 240v - 16amp - 5 double sockets, 1 low Profile LED strip light and 6 x track Mounted LED spotlights

TOW MASTER

4.2mt Colorado Display Trailer

HT003





Optional Extras

- 2.4mt x 760mm folding access ramp
- 3mt flag pole
- 6mt flag pole c/w rotating arm
- Bistro table & 4 chairs
- Branded Display wing panel
- Branded logo board panel
- Additional branding - panels, flags, etc.
- 1200mm fully upholstered bench seat
- Free standing coffee table

A welcoming professional looking trailer – This medium exhibition trailer represents superb value for money. The simplicity of the set up and the lack of any heavy lifting make the Colorado a very popular choice.

Flexible and with additional options to create the space you are looking for.

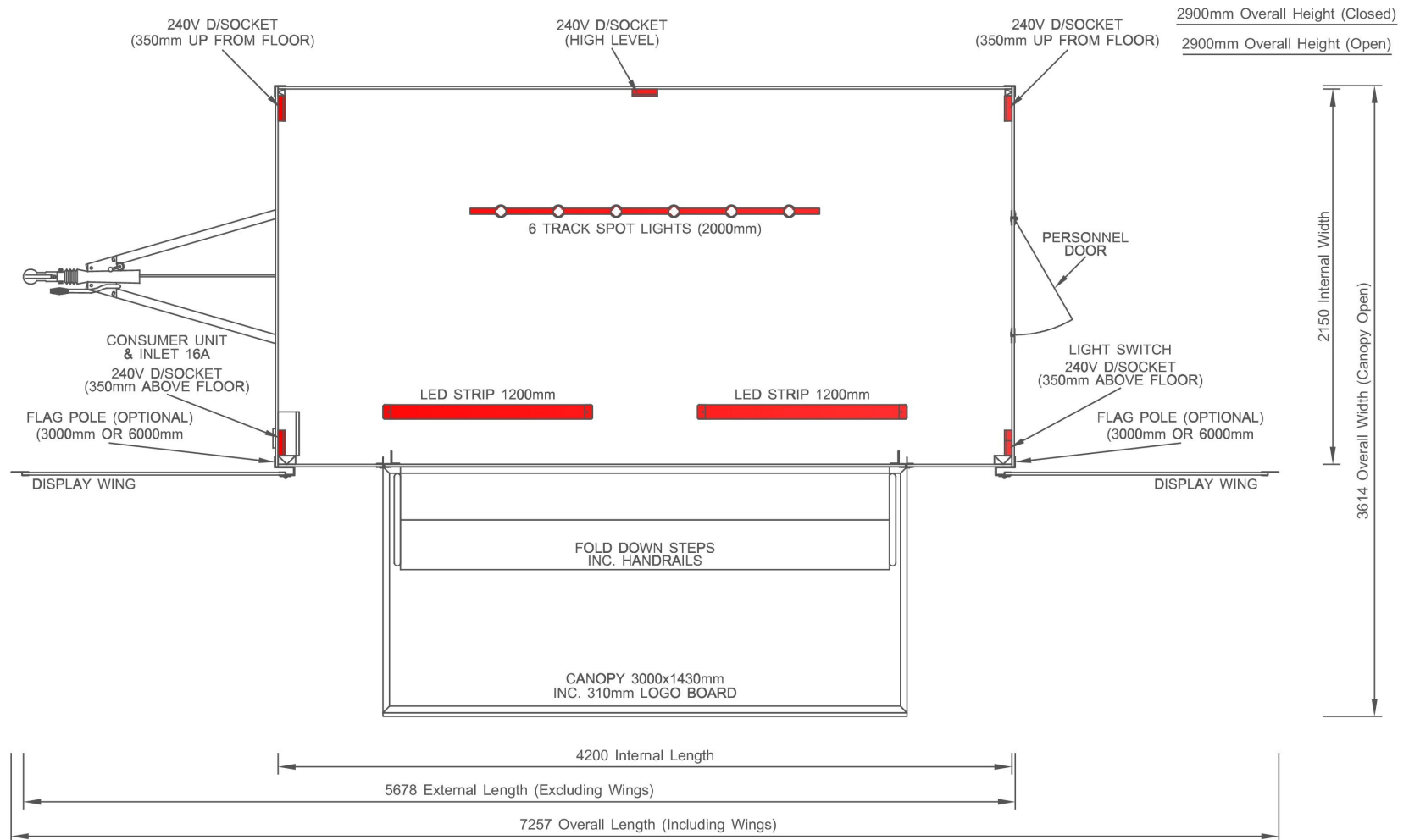
The Colorado exhibition trailer provides good shelter from rain, shade from the sun and performs well in windy conditions.

**TOW
MASTER**

4.2mt Colorado Display Trailer
HT003

4.2mt Colorado Display Trailer

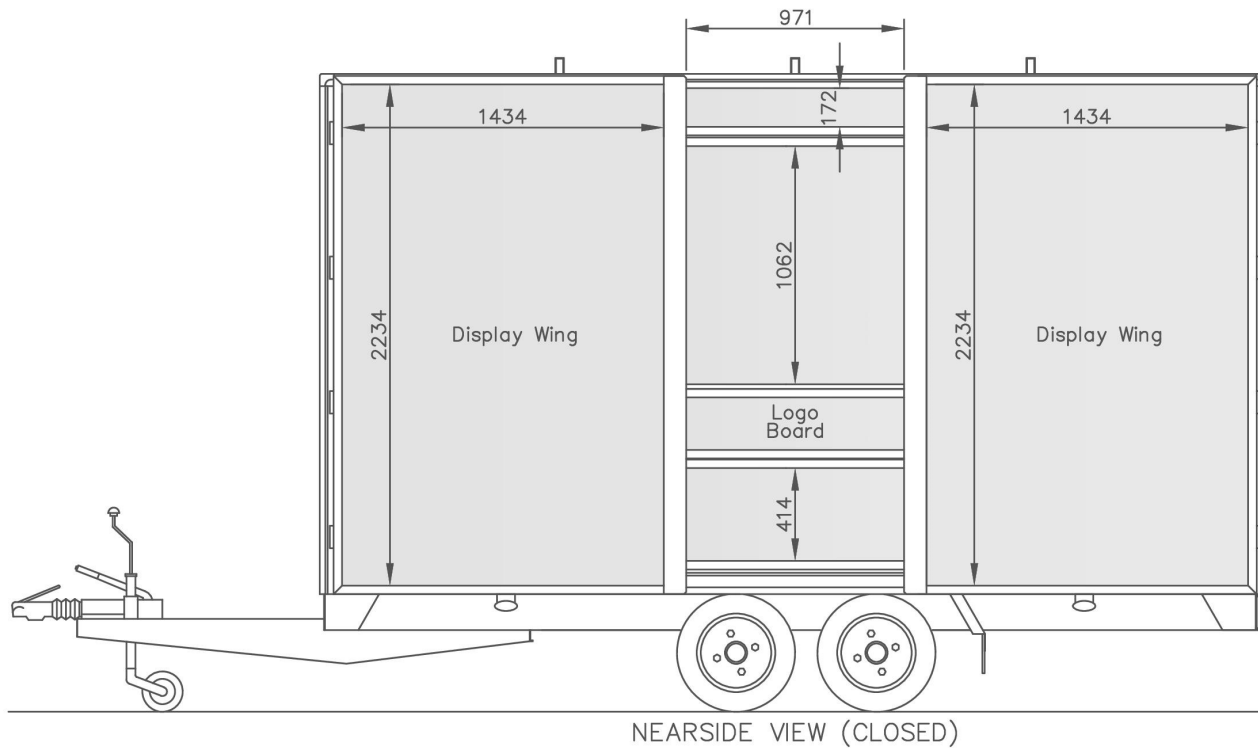
HT003



Plan view with lights and electrical sockets highlighted

4.2mt Colorado Display Trailer

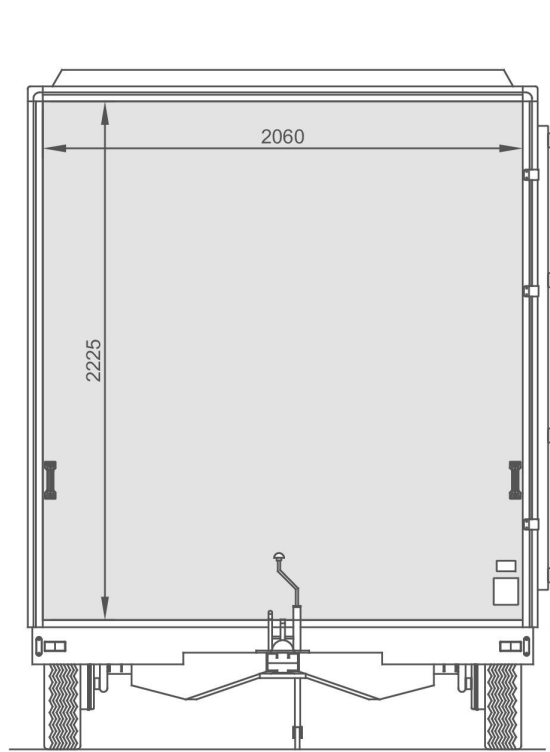
HT003



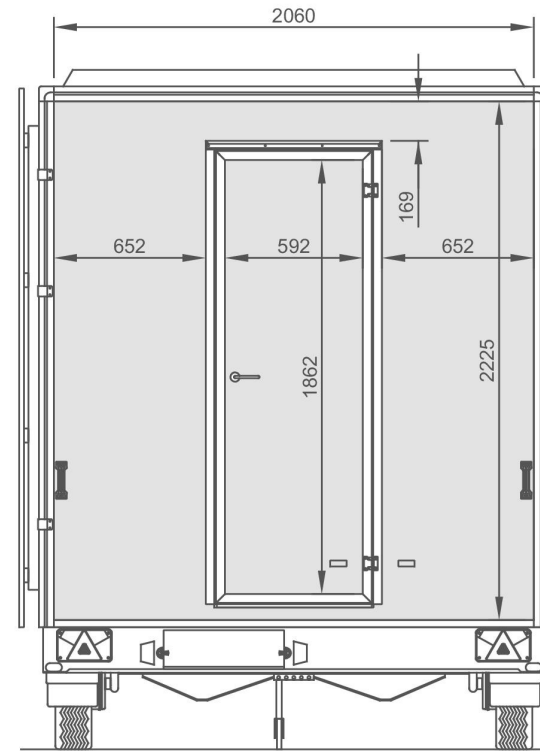
Panel dimensions near side closed

4.2mt Colorado Display Trailer

HT003



FRONT VIEW

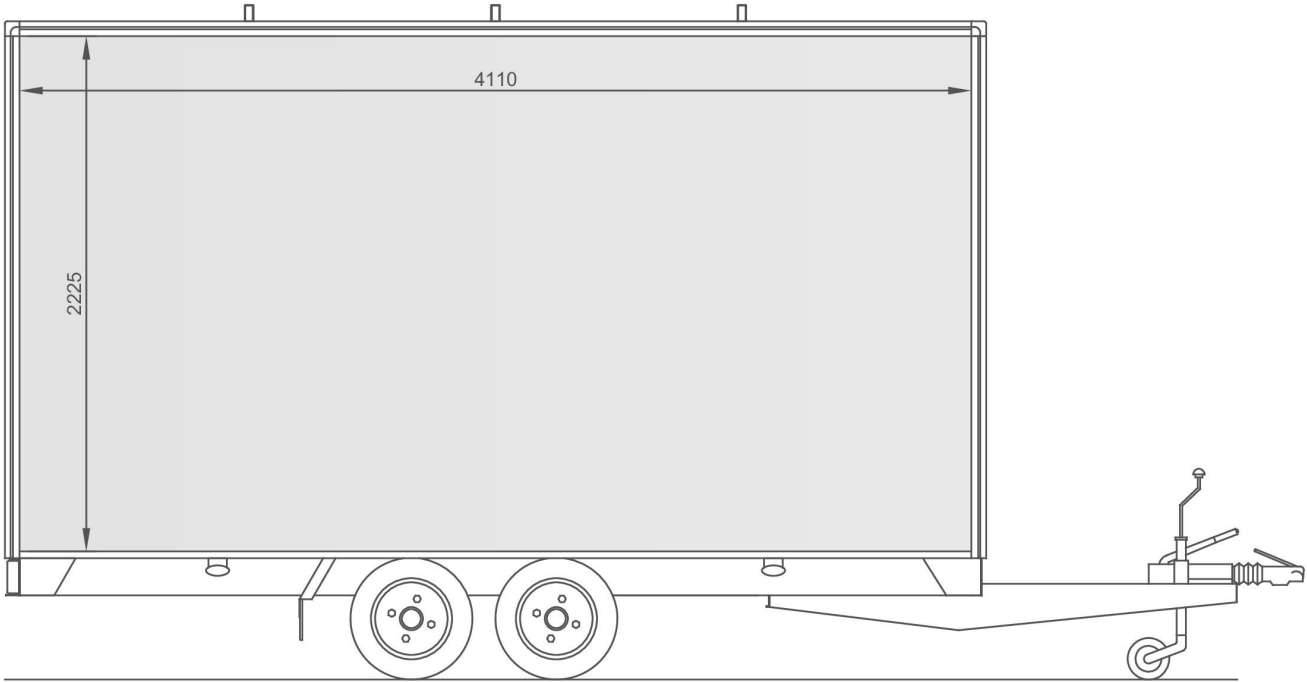


REAR VIEW

Panel dimensions front and rear

4.2mt Colorado Display Trailer

HT003



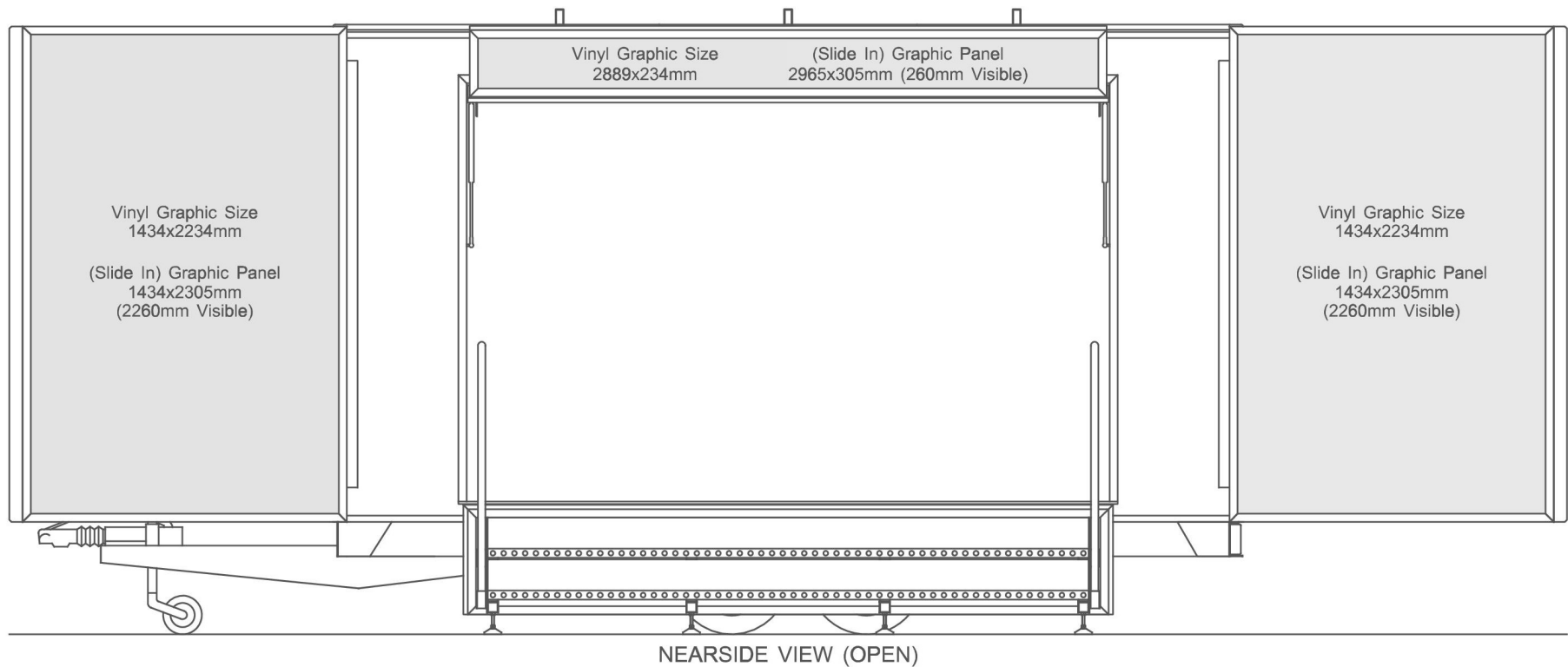
OFFSIDE VIEW (CLOSED)

Panel dimensions off side closed

4.2mt Colorado Display Trailer HT003



3mm ACP (Aluminium Composite Panel) Is Recommended For Slide In Graphic Panels



Panel dimensions logo board and display wings